

PUMP PERFORMANCE CURVES

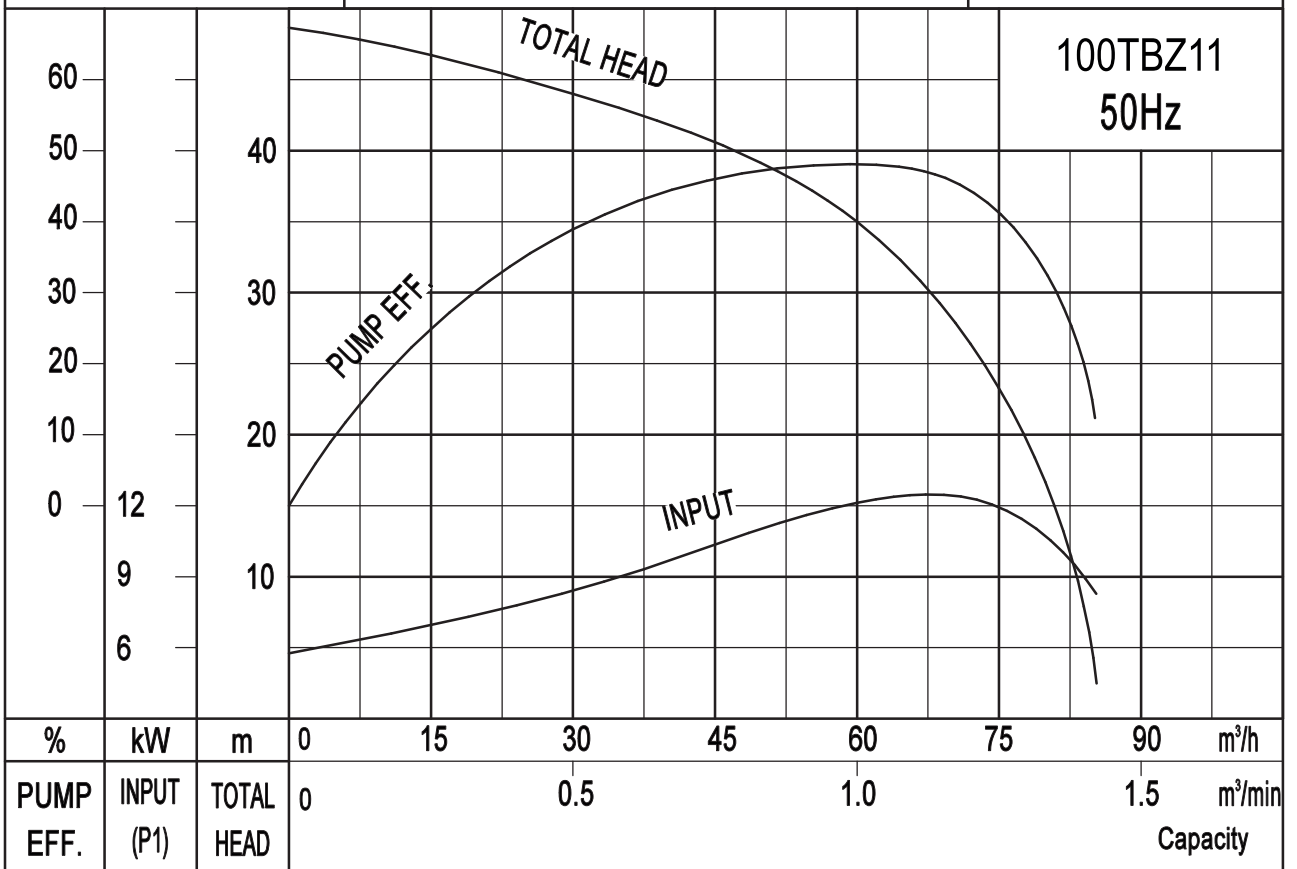
TYPE: SUBMERSIBLE CONTRACTORS' DEWATERING PUMP

MODEL: 100TBZ11

FREQUENCY: 50Hz

STANDARD SPECIFICATIONS

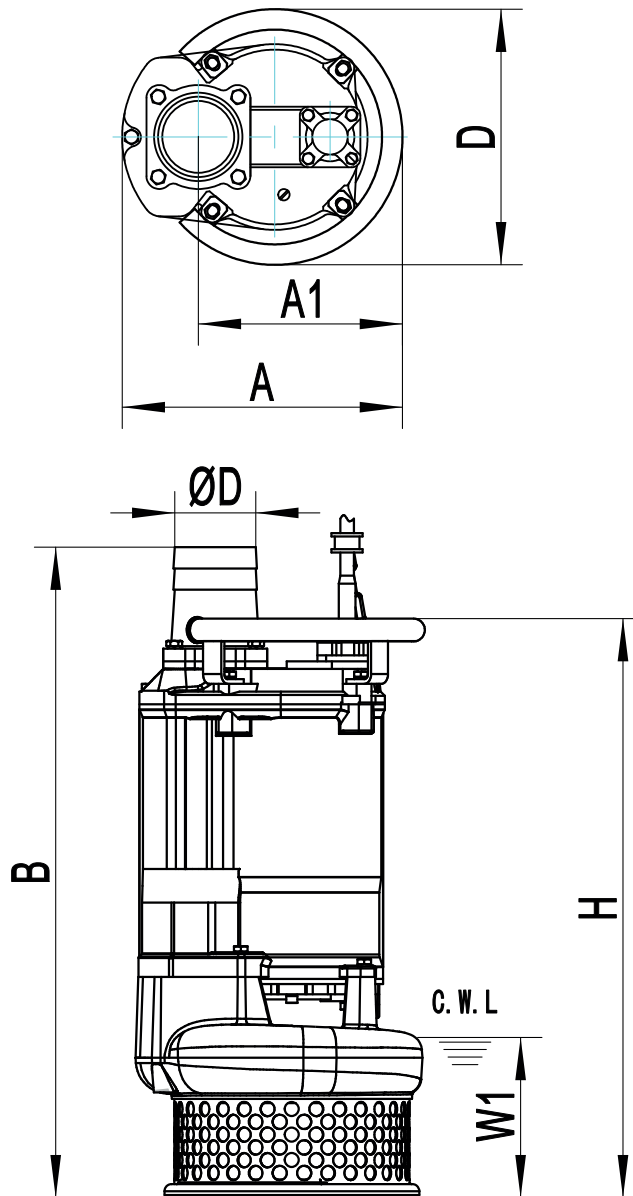
DISCHARGE BORE	100 mm	
HEAD	Max: 48.5 m	Rated: 35 m
CAPACITY	Max: 1.40 m ³ /min	Rated: 1.0 m ³ /min
MOTOR OUTPUT	11 kW	
PHASE x VOLTAGE	3 Øx 400 V	
CURRENT	22 A	
POLES/REVOLUTION	2 P/ S.S.2850 min ⁻¹	
STARTING METHOD	Direct-on-line start	
INSULATION CLASS	F	



SOLIDPUMP EUROPE SIA

DIMENSION DRAWING

TYPE: **SUBMERSIBLE CONTRACTORS' DEWATERING PUMP** MODEL: 100TBZ11



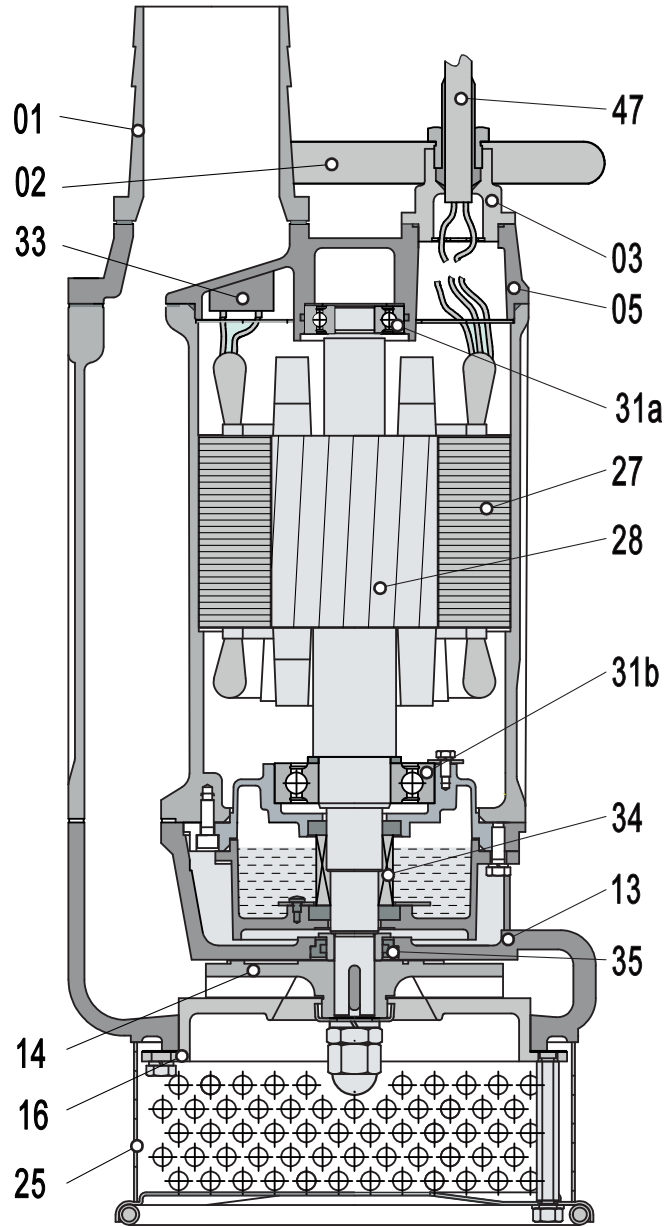
W1:Continuous running water level

Model (50Hz)	d	A	A1	B	D	H	W1	N.W
	mm	mm	mm	mm	mm	mm	mm	Kg
100TBZ7.5	100	330	240	764	314	676	190	106
150TBZ7.5	150	330	240	790	314	676	190	108
● 100TBZ11	100	373	255	807	350	695	190	136
150TBZ11	150	373	255	807	350	695	190	139
100TBZ15	100	373	255	842	350	755	190	144
150TBZ15	150	373	255	842	350	755	190	146

DIMENSION DRAWING

TYPE: **SUBMERSIBLE CONTRACTORS' DEWATERING PUMP**

MODEL: **100TBZ11**



Item No.	Part name	Material	Item No.	Part name	Material
01	Hose coupling	Cast iron	28	Rotor	Shaft:AISI420SS
02	Handle	Rubber&steel	31a	Bearing	Ball bearing
05	Upper cover	Cast iron	31b	Bearing	Ball bearing
11	Motor body	Cast iron	33	Motor protector	
13	Pump body	Cast iron	34	Mechanical seal	Sic-Sic/Carbon-Sic(≤2.2kW) Sic-Sic/Sic-Sic(≥3.7kW)
14	Impeller	High chrome alloy	35	Oil seal	
16	Inlet plate	Ductile iron	47	Cable	
25	Strainer	Steel			
27	Stator				

Specifications can be changed without notice

Solidpump Europe SIA

Uriekstes iela 14a
Rīga, LV-1005
LATVIA

Tel.: + 371 66164228
E-mail: info@solidpump.com
www.solidpump.com

SOLIDPUMP EUROPE SIA