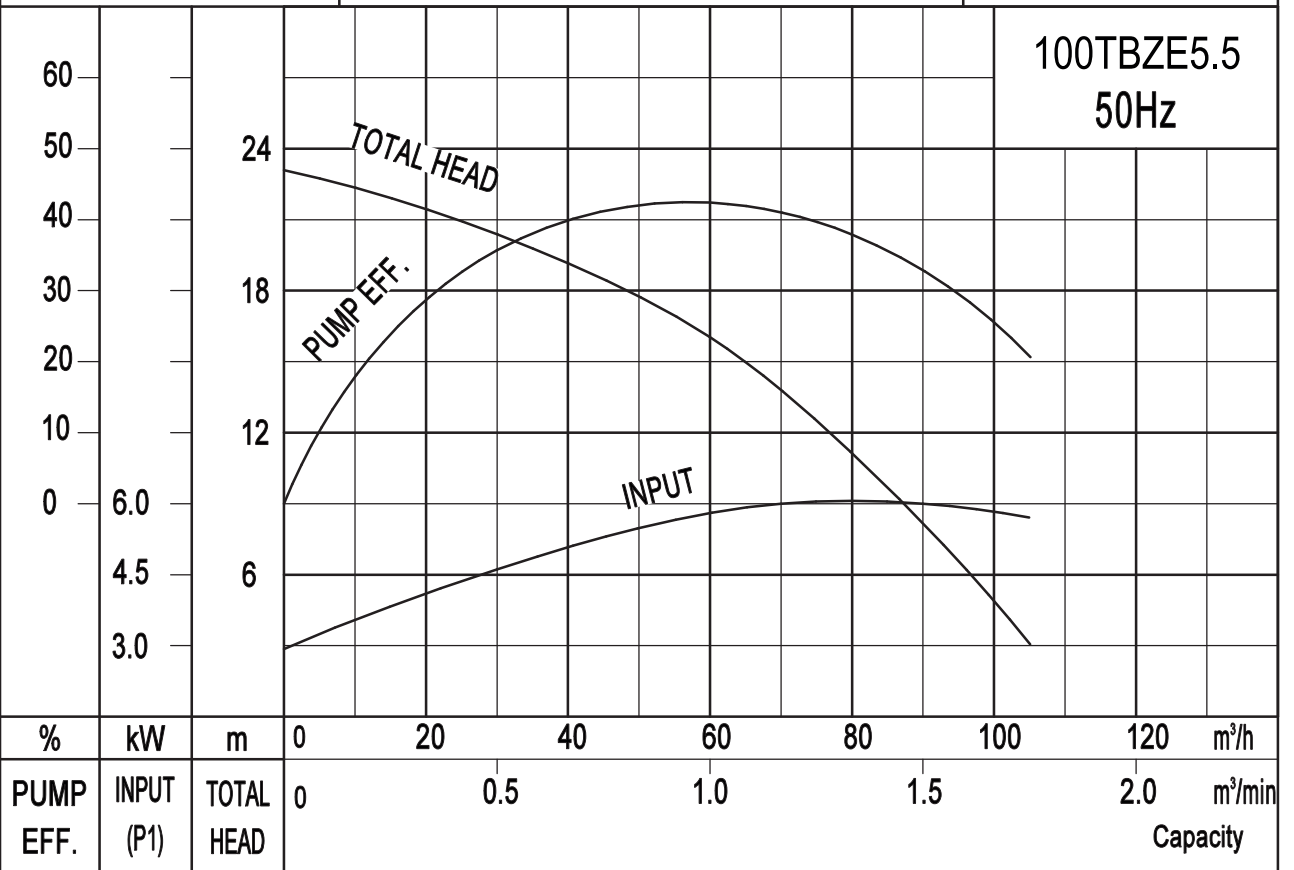


# PUMP PERFORMANCE CURVES

TYPE: AUTOMATIC SUBMERSIBLE CONTRACTORS' DEWATERING PUMP	MODEL:100TBZE5.5	FREQUENCY: 50Hz
---	------------------	-----------------

STANDARD SPECIFICATIONS	
DISCHARGE BORE	100 mm
HEAD	Max: 23 m      Rated: 16 m
CAPACITY	Max: 1.75 m <sup>3</sup> /min      Rated: 1.0 m <sup>3</sup> /min
MOTOR OUTPUT	5.5 kW
PHASE x VOLTAGE	3 Øx 400 V
CURRENT	11.4 A
POLES/REVOLUTION	2 P/ S.S.2850 min <sup>-1</sup>
STARTING METHOD	Direct-on-line start
INSULATION CLASS	F

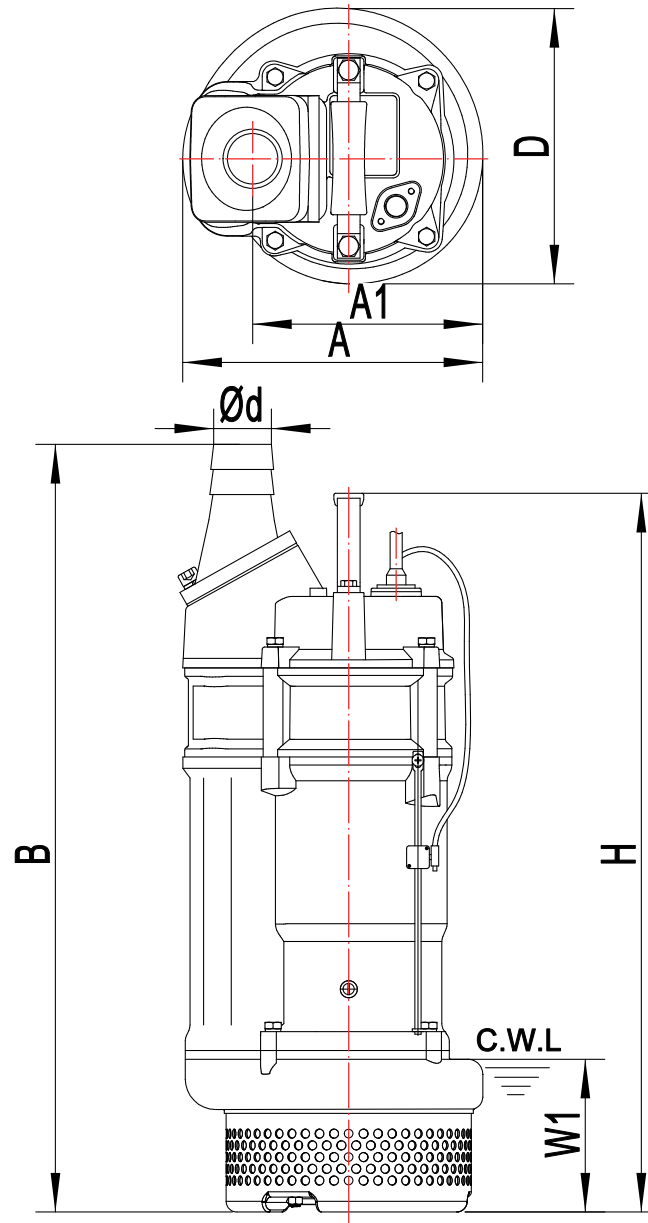


**SOLIDPUMP EUROPE SIA**

# DIMENSION DRAWING

## TYPE: AUTOMATIC SUBMERSIBLE CONTRACTORS' DEWATERING PUMP

MODEL: 100TBZE5.5



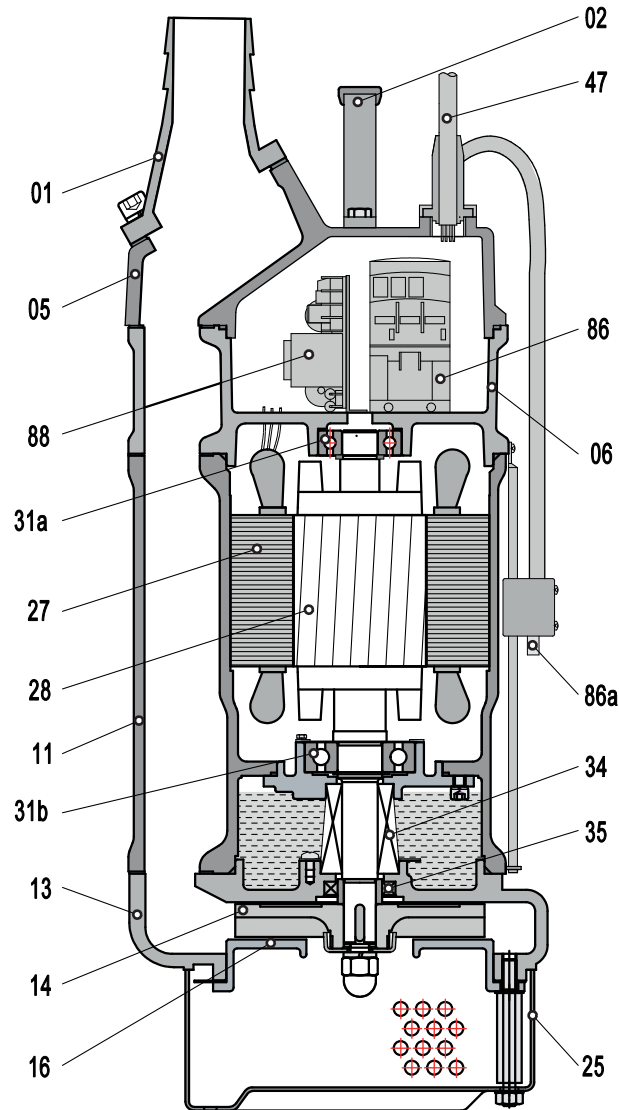
W1: Continuous running water level

Model (50/50Hz)	d	A	A1	B	D	H	W1	N.W
	mm	mm	mm	mm	mm	mm	mm	Kg
50TBZE1.5	50	235	190	613	216	582	120	41
80TBZE1.5	80	235	190	620	216	582	120	41
50TBZE2.2	50	235	190	613	216	582	120	44
80TBZE2.2	80	235	190	620	216	582	120	44
50TBZE3.7	50	283	223	703	252	707	150	71
80TBZE3.7	80	283	223	703	252	707	150	71
100TBZE3.7	100	283	223	728	252	707	150	72
80TBZE5.5	80	283	223	755	252	668	150	85.5
● 100TBZE5.5	100	283	223	780	252	668	150	86.5

# DIMENSION DRAWING

## TYPE: AUTOMATIC SUBMERSIBLE CONTRACTORS' DEWATERING PUMP

MODEL: 100TBZE5.5



Item No.	Part name	Material	Item No.	Part name	Material
01	Hose coupling	Cast iron	28	Rotor	Shaft:AISI420SS
02	Handle	Rubber&steel	31a	Bearing	Ball bearing
05	Upper cover	Cast iron	31b	Bearing	Ball bearing
06	Upper support	Cast iron	34	Mechanical seal	Sic-Sic/Carbon-Sic(<math>\leq 2.2kW</math>) Sic-Sic/Sic-Sic(>math>\geq 3.7kW</math>)
11	Motor body	Cast iron	35	Oil seal	
13	Pump body	Cast iron	47	Cable	
14	Impeller	High chrome alloy	86	AC Contactor	
16	Inlet plate	Ductile iron	86a	Water level sensor	
25	Strainer	Steel	88	Controller block	
27	Stator				

*Specifications can be changed without notice*

### Solidpump Europe SIA

Uriekstes iela 14a  
Rīga, LV-1005  
LATVIA

Tel.: + 371 66164228  
E-mail: info@solidpump.com  
www.solidpump.com

**SOLIDPUMP EUROPE SIA**