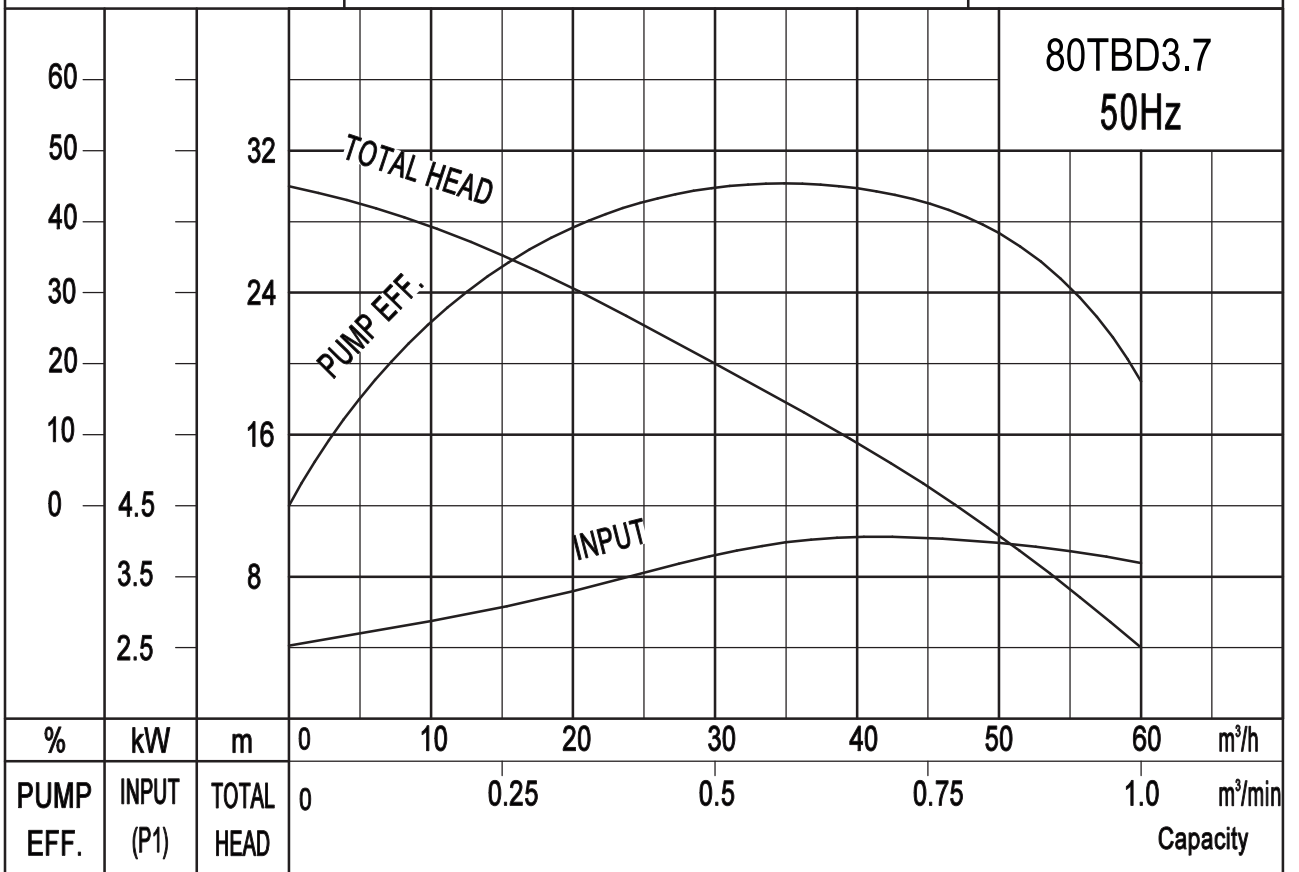


PUMP PERFORMANCE CURVES

TYPE: SUBMERSIBLE AGITATOR PUMP MODEL: 80TBD3.7 FREQUENCY: 50Hz

STANDARD SPECIFICATIONS

DISCHARGE BORE	80 mm	
HEAD	Max: 30 m	Rated: 20 m
CAPACITY	Max: 1.0 m ³ /min	Rated: 0.5 m ³ /min
MOTOR OUTPUT	3.7 kW	
PHASE x VOLTAGE	3 Øx 400 V	
CURRENT	7.7 A	
POLES/REVOLUTION	2 P/ S.S.2850 min ⁻¹	
STARTING METHOD	Direct-on-line start	
INSULATION CLASS	F	

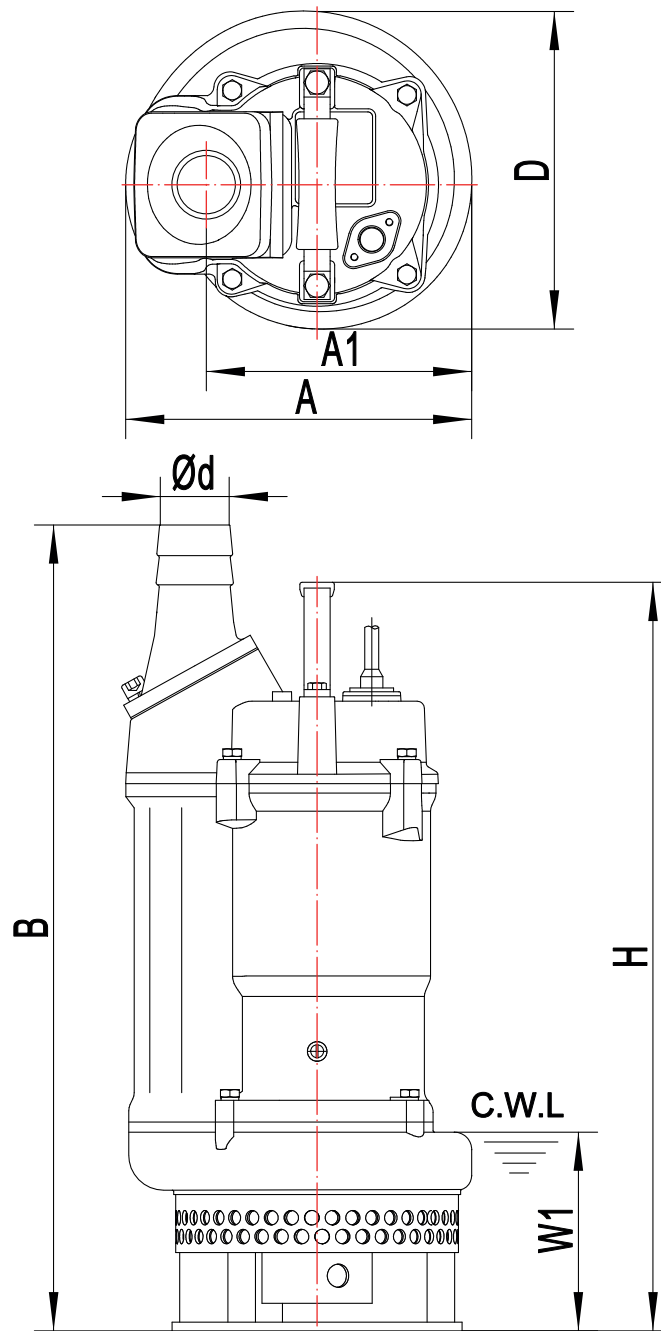


SOLIDPUMP EUROPE SIA

DIMENSION DRAWING

TYPE: **SUBMERSIBLE AGITATOR PUMP**

MODEL: **80TBD3.7**



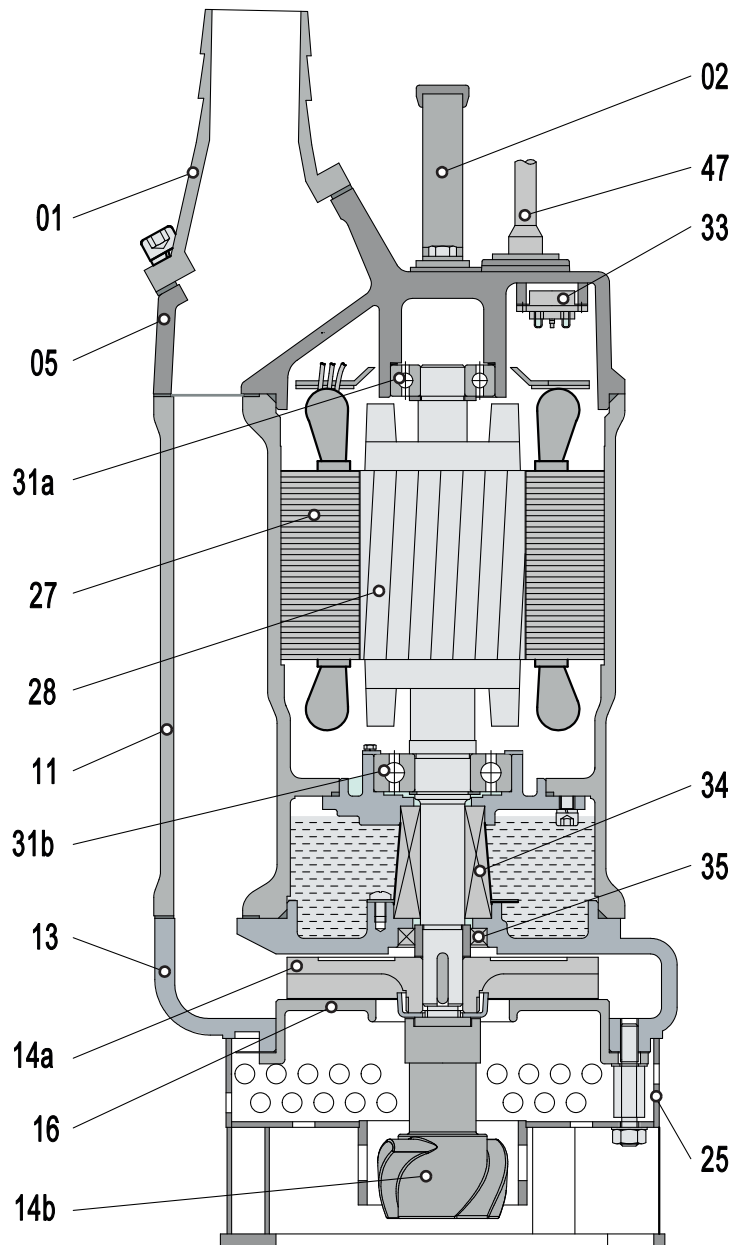
W1:Continuous running water level

Model (50Hz)	d	A	A1	B	D	H	W1	N.W
	mm	mm	mm	mm	mm	mm	mm	Kg
50TBD1.5	50	235	173	557	216	522	135	37
50TBD2.2	50	235	173	557	216	522	135	40
● 80TBD3.7	80	283	208	636	252	642	165	64
100TBD3.7	100	283	208	661	252	642	165	65

DIMENSION DRAWING

TYPE: SUBMERSIBLE AGITATOR PUMP

MODEL: 80TBD3.7



Item No.	Part name	Material	Item No.	Part name	Material
01	Hose coupling	Cast iron	27	Stator	
02	Handle	Rubber&steel	28	Rotor	Shaft:AISI420SS
05	Upper cover	Cast iron	31a	Bearing	Ball bearing
11	Motor body	Cast iron	31b	Bearing	Ball bearing
13	Pump body	Cast iron	33	Motor protector	
14a	Impeller	High chrome alloy	34	Mechanical seal	SiC-SiC/Carbon-SiC(<2.2kW) SiC-SiC/SiC-SiC(3.7kW)
14b	Agitator	High chrome alloy	35	Oil seal	
16	Inlet plate	Ductile iron	47	Cable	
25	Strainer	Steel			

Specifications can be changed without notice

Solidpump Europe SIA

Uriekstes iela 14a
Rīga, LV-1005
LATVIA

Tel.: + 371 66164228
E-mail: info@solidpump.com
www.solidpump.com

SOLIDPUMP EUROPE SIA