

# PUMP PERFORMANCE CURVES

TYPE: AUTOMATIC SUBMERSIBLE  
AGITATOR PUMP

MODEL:50TBDE2.2

FREQUENCY: 50Hz

## STANDARD SPECIFICATIONS

DISCHARGE BORE

50 mm

HEAD

Max: 25 m

Rated: 19 m

CAPACITY

Max: 0.50 m<sup>3</sup>/min

Rated: 0.30 m<sup>3</sup>/min

MOTOR OUTPUT

2.2 kW

PHASE x VOLTAGE

3 Øx 400 V

CURRENT

5 A

POLES/REVOLUTION

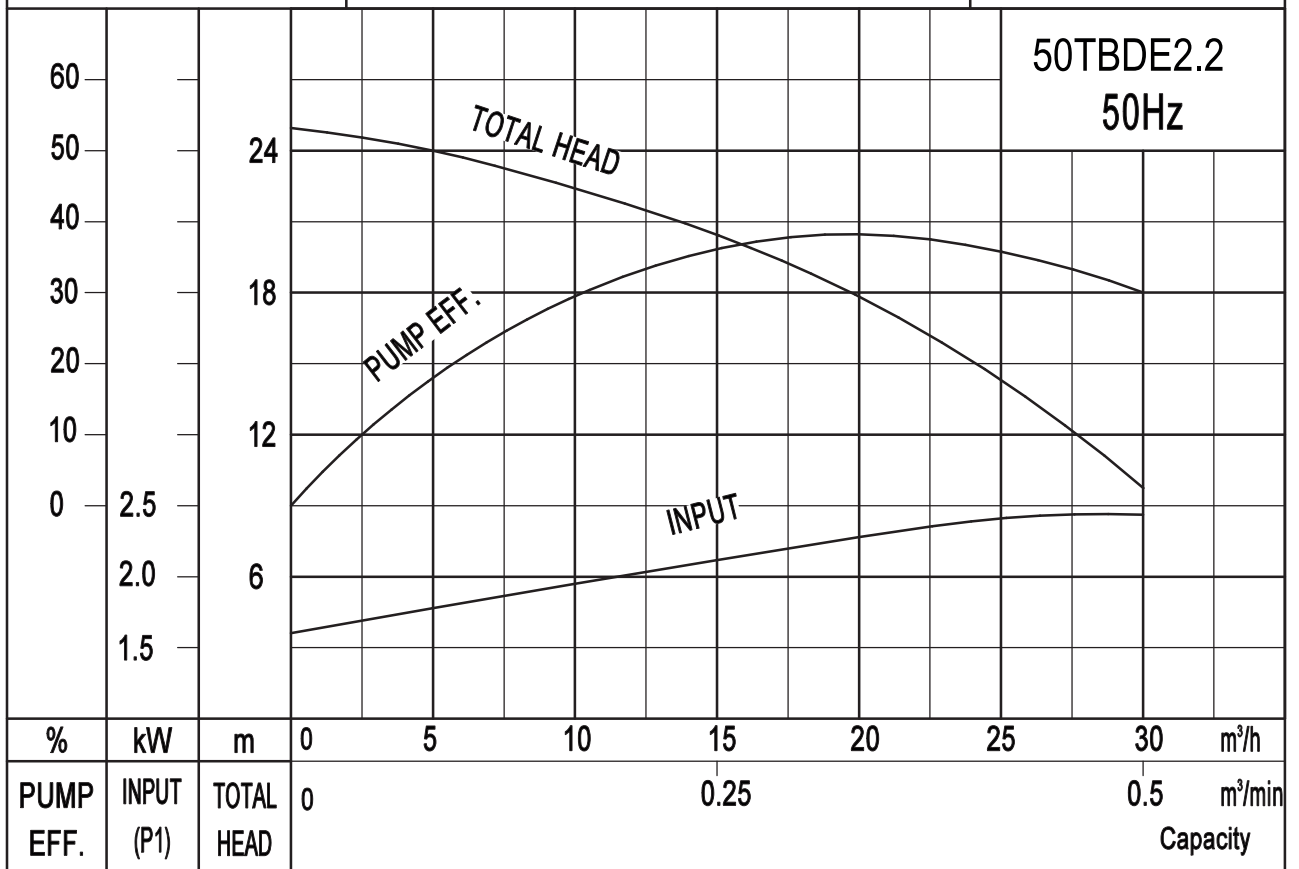
2 P/ S.S.2850 min<sup>-1</sup>

STARTING METHOD

Direct-on-line start

INSULATION CLASS

F

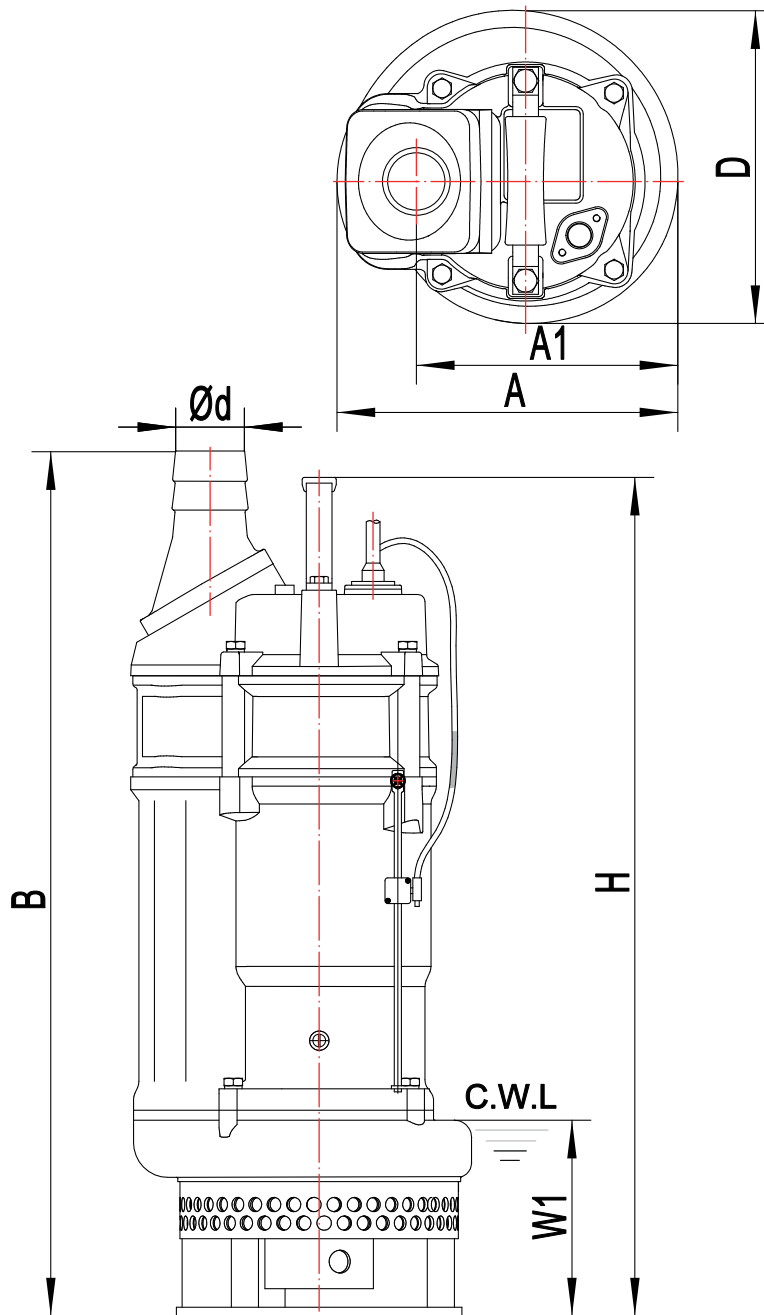


**SOLIDPUMP EUROPE SIA**

DIMENSION DRAWING

TYPE: AUTOMATIC SUBMERSIBLE AGITATOR PUMP

MODEL: 50TBDE2.2



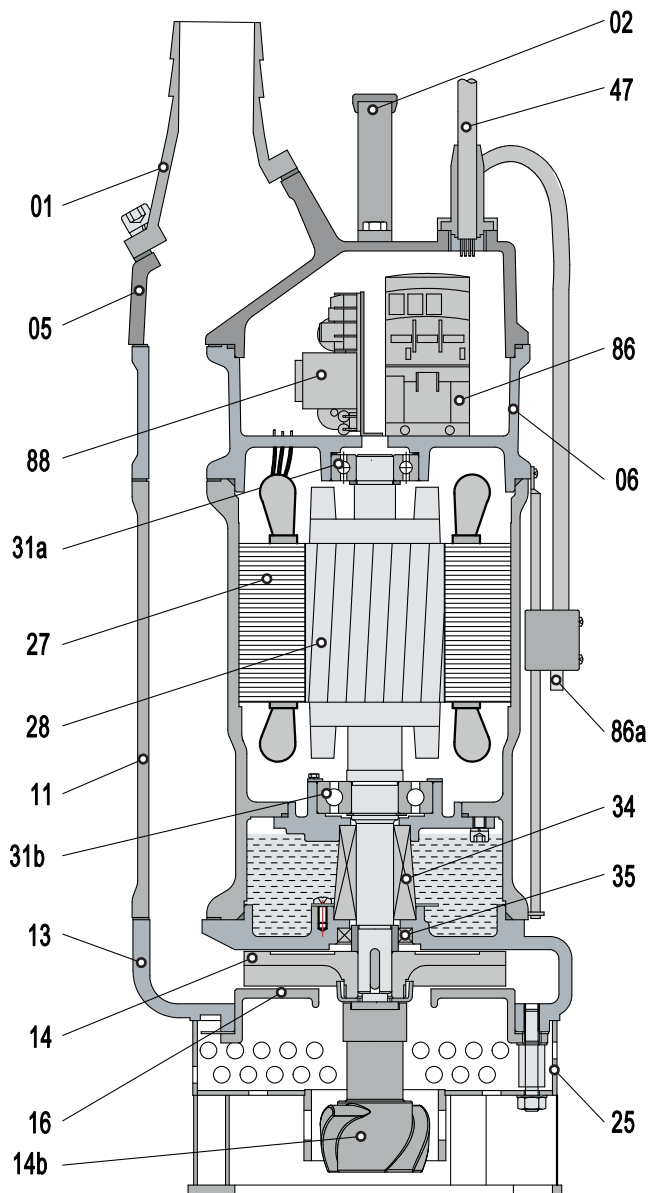
W1:Continuous running water level

| Model<br>(50Hz) | d   | A   | A1  | B   | D   | H   | W1  | N.W |
|-----------------|-----|-----|-----|-----|-----|-----|-----|-----|
|                 | mm  | mm  | mm  | mm  | mm  | mm  | mm  | Kg  |
| 50TBDE1.5       | 50  | 235 | 173 | 629 | 216 | 594 | 135 | 43  |
| ● 50TBDE2.2     | 50  | 235 | 173 | 629 | 216 | 594 | 135 | 46  |
| 80TBDE3.7       | 80  | 283 | 208 | 714 | 252 | 720 | 165 | 72  |
| 100TBDE3.7      | 100 | 283 | 208 | 739 | 252 | 720 | 165 | 73  |

# DIMENSION DRAWING

## TYPE: AUTOMATIC SUBMERSIBLE AGITATOR PUMP

MODEL: 50TBDE2.2



| Item No. | Part name     | Material          | Item No. | Part name          | Material   |
|----------|---------------|-------------------|----------|--------------------|--|
| 01       | Hose coupling | Cast iron         | 28       | Rotor              | Shaft: AISI420SS                                     |
| 02       | Handle        | Rubber&steel      | 31a      | Bearing            | Ball bearing   |
| 05       | Upper cover   | Cast iron         | 31b      | Bearing            | Ball bearing   |
| 06       | Upper support | Cast iron         | 34       | Mechanical seal    | Sic-Sic/Carbon-Sic(≤2.2kW)<br>Sic-Sic/Sic-Sic(3.7kW) |
| 11       | Motor body    | Cast iron         | 35       | Oil seal           |  |
| 13       | Pump body     | Cast iron         | 47       | Cable              |  |
| 14a      | Impeller      | High chrome alloy | 86       | AC Contactor       |  |
| 14b      | Agitator      | High chrome alloy | 86a      | Water level sensor |  |
| 16       | Inlet plate   | Ductile iron      | 88       | Controller block   |  |
| 25       | Strainer      | Steel             |          |                    |  |
| 27       | Stator        |                   |          |                    |  |

*Specifications can be changed without notice*

### Solidpump Europe SIA

Uriekstes iela 14a  
Rīga, LV-1005  
LATVIA

Tel.: + 371 66164228  
E-mail: info@solidpump.com  
www.solidpump.com

**SOLIDPUMP EUROPE SIA**